

Lucas nano 300

Unbelievable **Size**
Unbelievable **Power**
Unbelievable **Options**



english

HK AUDIO



LUCAS nano 300

Unbelievable Size.

Unbelievable Power.

Unbelievable Options.



Every speaker system has its limits. But that doesn't mean you have to accept them. Our engineers certainly didn't let conventional boundaries deter them when they set out to develop the next LUCAS generation. The mission bordered on the impossible: Create a much smaller, lighter PA without sacrificing spatial depth and volume. They rose to the challenge with LUCAS NANO 300.

Downsizing

In recent years, we have seen some truly amazing efficiency gains in automotive engines. Smaller, lighter, yet more powerful, these downsized motors were a source of inspiration and a model to emulate. Innovative engineers combined fuel injection, compressors, turbo chargers and other technologies that have been around for decades in smart, new ways to achieve the performance of far larger machines.

Possibilities

LUCAS NANO 300's subcompact dimensions and miniscule footprint will treat you to an unprecedented experience in convenience. Simply click-fit the two fist-sized satellites into the subwoofer, grab one of the comfortable grips, and enjoy the ease of toting an ultra light 10-kg package. And then there's the unprecedented range of applications that transcends all conventional boundaries: Anything goes, from champagne receptions, small pub gigs and recording

Efficiency

HK AUDIO developers followed much the same roadmap, combining everything we learned about acoustics over the decades with state-of-the-art measuring and design methods. The result is LUCAS NANO 300. Unbelievably small and light. Unbelievably loud. Unbelievable possibilities.

sessions to garden parties, multimedia presentations and thrilling gaming experiences. Just like that, the little LUCAS NANO 300 could become a big part of your life.

LUCAS NANO 300.

The Sound of **your** Life.



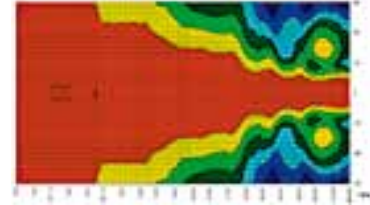
LUCAS NANO 300 SATELLITE



Front view



Bottom view



Horizontal directivity

3.5" High-Performance Broadband Speakers

190 Hz – 20 kHz, +2 dB

Compression Chamber

+1 dB SPL

HF Diffraction Lens

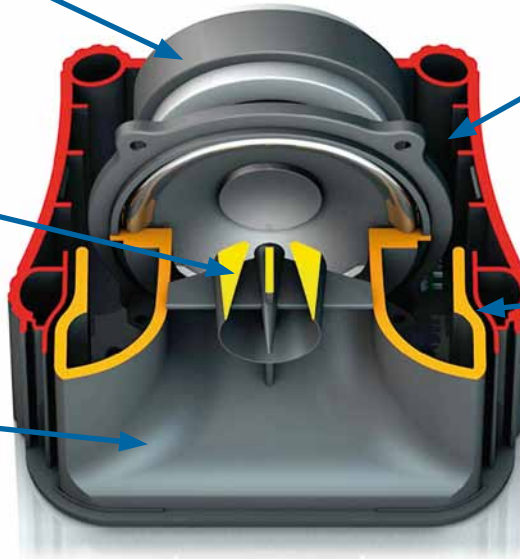
Uniform HF dispersion pattern (60° x 40°)

Helmholtz Resonator

Boosts low mids by +6 dB

Constant Directivity Horn

+4 dB higher SPL and even midrange dispersion



LUCAS NANO Twin-Satellite

The Easy-Click connector links two LUCAS NANO 300 satellites to create a single powerful mono satellite. A built-in filter circuit is activated automatically. It voices the two satellites to blend as one, conjuring the acoustics and response of a single cabinet.



LUCAS NANO 300 Subwoofer



Front view



Side view



Back view



Top view



8" High-Performance Bass Woofer

Class D System Power amp

1 x 160 W for the subwoofer; 2 x 35 W or 1 x 70 W for satellites

Subfire Reflex Port

For sub-bass down to 44 Hz

Aluminum Plate (5 mm)

Serves to cool and brace the cabinet

Triple-Channel Mixing Console

With ports for microphones, instruments, line signals, MP3 / CD player, etc.

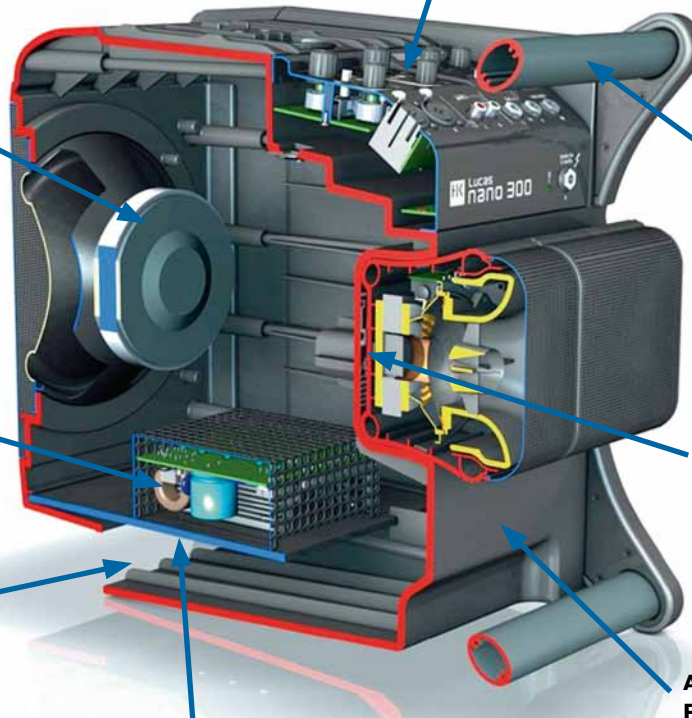
Large Metal Carrying Handles

For easy, comfortable portability

Transport Bay for Satellites

With a locking mechanism

Anti-Resonant Polyamide Housing



Applications



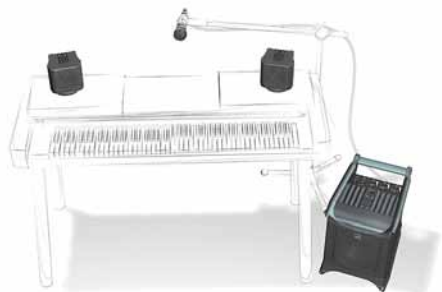
Acoustic Gig



Gaming / Home Theatre



E-Drum Monitor



Small Gig Keyboard-System / Keyboard Monitor



Recording Monitor / PC-Sound-System



Public Speakers / Presentations / Seminars

Accessories



Add On Package 1



LUCAS Nano Dust Bag (incl.)



Add On Package 2



LUCAS Nano Roller Bag

Technical Specifications

Satellite	Single	Double
Power output	35 W @ 8 Ω	70 W @ 4 Ω
Frequency response	190 Hz – 20 kHz	190 Hz – 20 kHz
Max. SPL @ 10% THD*	112 dB	116 dB
Max. SPL Peak*	116 dB	120 dB
Mid/high unit dispersion pattern, horizontal/vertical	60° x 40°	60° x 40°
Dimensions (W x H x D)	13 x 13 x 11.5 cm	13 x 26 x 11.5 cm
Weight	1 kg, 2.20 lbs	2 kg, 4.41 lbs
Subwoofer		
Power output	160 W @ 2 Ω	
Frequency response	44 Hz – fx	
Max. SPL @ 10% THD*	116 dB	
Max. SPL Peak*	118 dB	
Dimensions (W x H x D)	30 x 39 x 42 cm	
Weight	8.3 kg, 18.3 lbs	

Compact Mono



Extended Mono



Stereo



Twin Set Stereo



Lucas nano 300



HK Audio®
Postfach 1509 • 66595 St. Wendel, Germany
info@hkaudio.com • www.hkaudio.com
© 2012 Music & Sales P.E. GmbH
All rights reserved
MS D-2513, 9880626

HK AUDIO